

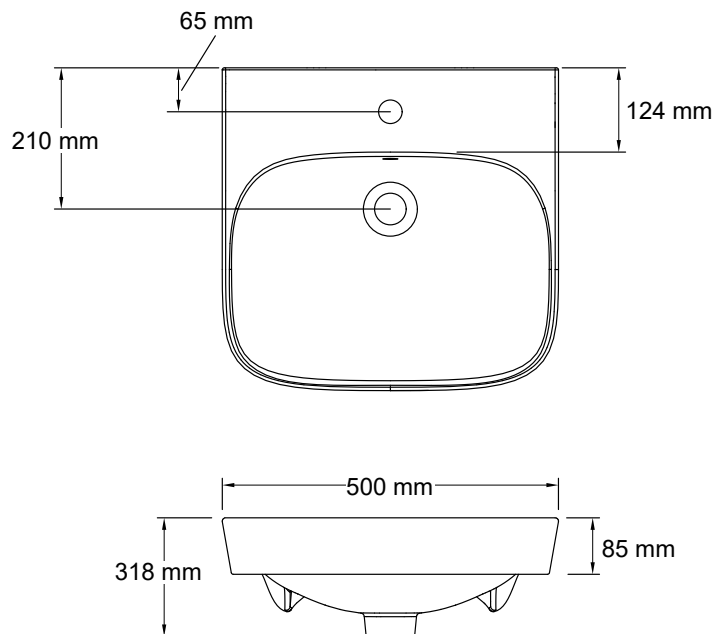
ModernLife™ 500 mm Vessel Basin

VM112K

Product Description:	ModernLife 500 mm vessel basin
Colour/Finish:	White
Product Dimensions:	W500 x D480 mm
Material:	Vitreous China
Product Weight (kg):	12
Fixings Included:	No
Guarantee (Years):	25

**Additional Information:**

Rinse thoroughly and use a soft cloth to wipe the product dry after use. Soft abrasive cleaners may be used when necessary to clean vitreous china products. Strong abrasive cleaners will scratch and dull the surface. Wipe any splashes of cleaning solutions from plastic or plated surfaces immediately.

Dimensions (mm):**Kohler UK**

Sales and Technical: +44 (0) 800 001 4466

info@kohler.co.uk

www.KOHLER.co.uk

THE BOLD LOOK
OF **KOHLER**®